

## AT900/R900 Calibration Check


**NOTE!**

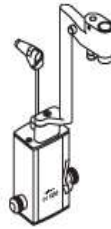
This check must be carried out once a month. If the check yields erroneous results, please check the following points:

1. Is the measuring prism properly positioned?
2. Is the control weight correctly set?
3. Repeat the check.

Defective equipment must be sent immediately to your HAAG-STREIT representative.


**NOTE!**

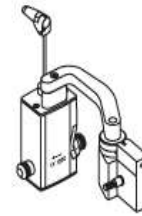
HAAG-STREIT offers a repair and service package. For further information, please contact your HAAG-STREIT representative directly.



AT 900 model R



AT 900 model T



AT 900 model BQ



AT 870

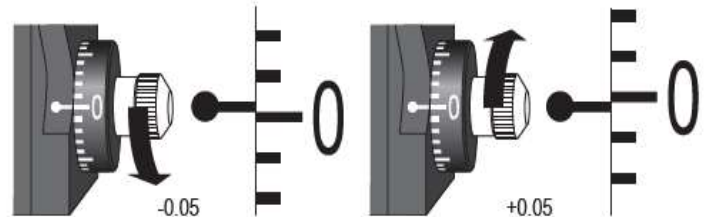
### Check the drum position 0

- Check position -0.05

The zero line on the measuring drum is moved downwards, opposite the index, by a single marking width. The feeler arm must move by itself all the way to the stop-piece, in the direction of the examiner.

- Check position +0.05

The zero line on the measuring drum is moved upwards, opposite the index. The feeler arm must move all the way to the stop-piece, on the patient's side.

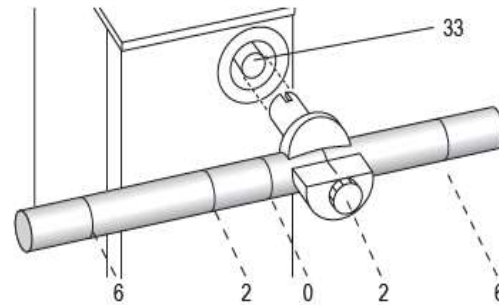


### Check the drum position 2


**NOTE!**

This is the most important test because measurement of inter-ocular pressure in this area is of critical importance.

- To conduct it, a control weight is used. The weight rod is engraved with five rings. The middle ring corresponds to a scale value of 0, the rings immediately to its left and right correspond to a value of 2, and both outside scale rings have a value of 6.
- One of the drum setting marks is set exactly to the index line on the holder. The weight is fitted on the feeler axis (33) so that the longer part points to the examiner.

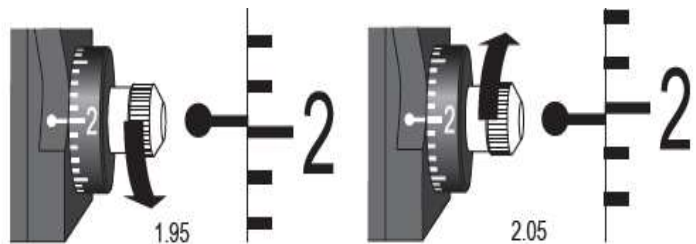


- Check position 1.95

With a drum position of 1.95, the feeler arm must move from the free-movement area toward the limit stop in the direction of the examiner.

- Check position 2.05

With a drum position of 2.05, the feeler arm must move from the free-movement area toward the limit stop in the direction of the patient.



### Check the drum position 6

Set the weight rod to 6 on the scale, the longer part points to the examiner.

- Check position 5.9

The check point is at 5.9. Move the measuring drum's calibration mark 6 downwards, opposite the index, by a 1/2 interval. The feeler arm must move towards the examiner.

- Check position 6.1

The check point is at 6.1. Move the measuring drum's calibration mark 6 upwards, opposite the index, by a 1/2 interval. The feeler arm must move towards the patient.

